

Rev	Description	By	Date	Approved
-----	-------------	----	------	----------

TERMINAL DESCRIPTION

- E1 24Vac In
- E2 Ground
- E3 Aux (not Used)
- E4 Reset (Remote Reset Option)
- E5 24Vac Out
- E6 Valve In

CONTROL TIMINGS

- Lockout Duration Until Reset
- Lockout Reset Manual

ELECTRICAL SPECIFICATIONS

- Control 24Vac, 60Hz, .1A
- Relay 5A @ 24Vac

Operation

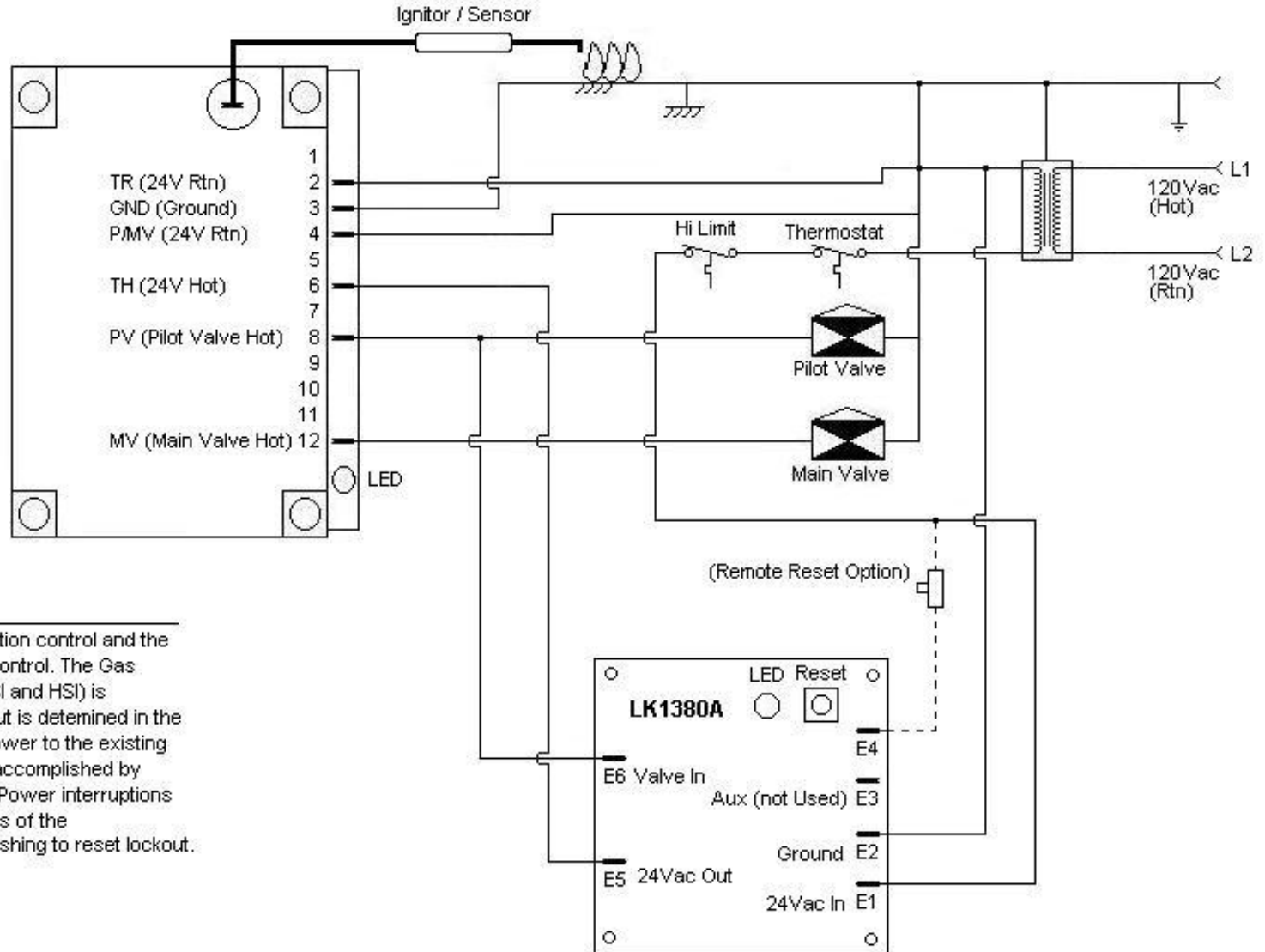
LK1380 is installed between an existing ignition control and the last safety switch in series to the existing control. The Gas Valve (Pilot Valve on IIDs, Main Valve on DSI and HSI) is monitored to determine lockout. When lockout is determined in the existing ignition control LK1380 shuts off power to the existing ignition control. Lockout Reset can only be accomplished by manually pressing LK1380's Reset Switch. Power interruptions to LK1380 will NOT reset Lockout regardless of the interruption duration. NOTE: LED must be flashing to reset lockout.

LED CODES

- Constant ON Normal Operation
- Steady Flash Lockout

AMBIENT TEMPERATURE

-40 TO +175F



Approvals	Date	Title:
Drawn By <i>RHJ</i>		LK1380A Lockout Control Wiring Diagram
Checked		
Engineer		Drawing: WD_LK1380A_A
App. By		
App. By		